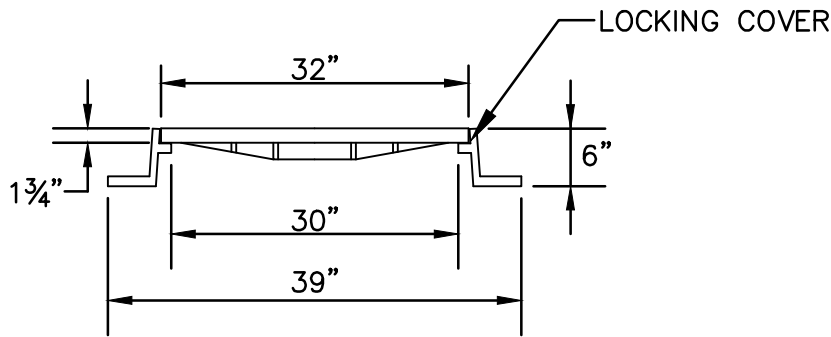


PLAN



SECTION  
STANDARD

NOTES:

1. ALL MANHOLES SHALL BE STANDARD COVERS UNLESS OTHERWISE INDICATED ON THE PLANS.
2. COVERS TO HAVE TWO (2)  $\frac{3}{4}$ " VENT HOLES.
3. COVER MUST BE SUITABLE FOR H-20 HIGHWAY LOADING.

Detail No. WSA-5  
Sanitary Manhole Cover - Locking

Contract EE

Date: September 2020

Scale: Not to Scale



**WARWICK SEWER AUTHORITY**  
125 Arthur Devine Boulevard  
Warwick, Rhode Island 02988